

# 901 Titrando



Manual  
8.901.8003EN





Metrohm AG

CH-9100 Herisau

Switzerland

Phone +41 71 353 85 85

Fax +41 71 353 89 01

[info@metrohm.com](mailto:info@metrohm.com)

[www.metrohm.com](http://www.metrohm.com)

# **901 Titrande**

## **Manual**

Teachware  
Metrohm AG  
CH-9100 Herisau  
teachware@metrohm.com

This documentation is protected by copyright. All rights reserved.

Although all the information given in this documentation has been checked with great care, errors cannot be entirely excluded. Should you notice any mistakes please send us your comments using the address given above.

Documentation in additional languages can be found on  
<http://documents.metrohm.com>.

# Table of contents

<b>1</b>	<b>Introduction</b>	<b>1</b>
1.1	The Titrando system .....	1
1.2	Instrument description .....	2
1.3	Titration modes – Measuring modes – Dosing commands .....	3
1.4	About the documentation .....	4
1.4.1	Symbols and conventions .....	4
1.5	Safety instructions .....	5
1.5.1	General notes on safety .....	5
1.5.2	Electrical safety .....	5
1.5.3	Working with liquids .....	6
1.5.4	Flammable solvents and chemicals .....	6
1.5.5	Recycling and disposal .....	7
<b>2</b>	<b>Overview of the instrument</b>	<b>8</b>
<b>3</b>	<b>Installation</b>	<b>10</b>
3.1	Setting up the instrument .....	10
3.1.1	Packaging .....	10
3.1.2	Checks .....	10
3.1.3	Location .....	10
3.2	Connecting a controller .....	10
3.2.1	Operation .....	10
3.3	Connecting MSB devices .....	14
3.3.1	Connecting a dosing device .....	15
3.3.2	Connecting a stirrer or titration stand .....	16
3.3.3	Connecting a Remote Box .....	17
3.4	Connecting USB devices .....	18
3.4.1	General .....	18
3.4.2	Connecting a USB hub .....	19
3.4.3	Connecting a printer .....	19
3.4.4	Connecting a balance .....	20
3.4.5	Connecting a PC keyboard (only for operation with Touch Control) .....	21
3.4.6	Connecting a barcode reader .....	22
3.5	Setting up the titration vessel .....	23
3.5.1	General .....	23
3.5.2	Titration vessel for volumetric KF titration .....	24
3.6	Connecting sensors .....	28
3.6.1	Connecting a pH, metal or ion-selective electrode .....	28
3.6.2	Connecting a reference electrode .....	29



3.6.3	Connecting a polarizable electrode .....	29
3.6.4	Connecting a temperature sensor or an electrode with integrated temperature sensor .....	30
3.6.5	Connecting an iConnect .....	30
3.6.6	Differential potentiometry .....	31
<b>4</b>	<b>Karl Fischer titration</b> .....	<b>33</b>
4.1	<b>Volumetric titration</b> .....	<b>33</b>
4.1.1	Principle of the volumetric Karl Fischer titration .....	33
4.1.2	Endpoint determination .....	33
4.1.3	Karl Fischer reagents .....	34
4.1.4	Application of the Karl Fischer titration .....	34
4.1.5	Working with water standards .....	34
4.1.6	Sample addition .....	36
4.1.7	Optimum working conditions .....	38
<b>5</b>	<b>Operation and maintenance</b> .....	<b>40</b>
5.1	<b>General notes</b> .....	<b>40</b>
5.1.1	Care .....	40
5.1.2	Maintenance by Metrohm Service .....	40
5.2	<b>Quality Management and qualification with Metrohm</b> .....	<b>41</b>
<b>6</b>	<b>Troubleshooting</b> .....	<b>42</b>
6.1	<b>General</b> .....	<b>42</b>
6.2	<b>Karl Fischer titration</b> .....	<b>42</b>
6.2.1	.....	42
6.3	<b>SET titration</b> .....	<b>44</b>
6.3.1	.....	44
<b>7</b>	<b>Appendix</b> .....	<b>45</b>
7.1	<b>Remote interface</b> .....	<b>45</b>
7.1.1	Pin assignment of the remote interface .....	45
<b>8</b>	<b>Technical specifications</b> .....	<b>49</b>
8.1	<b>Measuring interface</b> .....	<b>49</b>
8.1.1	Potentiometry .....	49
8.1.2	Temperature .....	49
8.1.3	Polarizer .....	50
8.2	<b>Power connection</b> .....	<b>51</b>
8.3	<b>Safety specifications</b> .....	<b>51</b>
8.4	<b>Electromagnetic compatibility (EMC)</b> .....	<b>51</b>
8.5	<b>Ambient temperature</b> .....	<b>52</b>
8.6	<b>Reference conditions</b> .....	<b>52</b>



8.7	Dimensions .....	52
8.8	Interfaces .....	52
<b>9</b>	<b>Warranty (guarantee)</b>	<b>54</b>
<b>10</b>	<b>Accessories</b>	<b>56</b>
10.1	Scope of delivery .....	56
10.1.1	2.901.0010 .....	56
10.2	Optional accessories .....	62
10.2.1	2.901.0010 .....	62
	<b>Index</b>	<b>65</b>



## Table of figures

Figure 1	The Titrand system .....	1
Figure 2	Front 901 Titrand .....	8
Figure 3	Rear 901 Titrand .....	9
Figure 4	Connecting the Touch Control .....	11
Figure 5	Connecting the computer .....	13
Figure 6	MSB connections .....	14
Figure 7	Connecting a dosing device .....	16
Figure 8	Connecting an MSB stirrer .....	17
Figure 9	Connecting the propeller stirrer to the titration stand .....	17
Figure 10	Connecting the Remote Box .....	18
Figure 11	Connecting a printer .....	20
Figure 12	Schematic configuration of magnetic stirrer, electrode and buret tip during a titration. a) stirring direction clockwise, b) stirring direction counterclockwise. ....	23
Figure 13	Connecting a pH, metal or ion-selective electrode .....	28
Figure 14	Connecting a reference electrode .....	29
Figure 15	Connecting a polarizable electrode .....	29
Figure 16	Connecting a temperature sensor or an electrode with integrated temperature sensor .....	30
Figure 17	Connecting the iConnect .....	31
Figure 18	Connecting an electrode to the iConnect .....	31
Figure 19	Connectors of the Remote Box .....	45
Figure 20	Pin assignment of remote socket and remote plug .....	45



# 1 Introduction

## 1.1 The Titrando system

The Titrando is the heart of the modular Titrando system. Operation is carried out either by Touch Control with a touch-sensitive screen ("stand-alone titrator") or by a computer with a corresponding software.

A Titrando system can contain numerous kinds of a variety of instruments. The following figure provides an overview of the peripheral devices you can connect to the 901 Titrando.

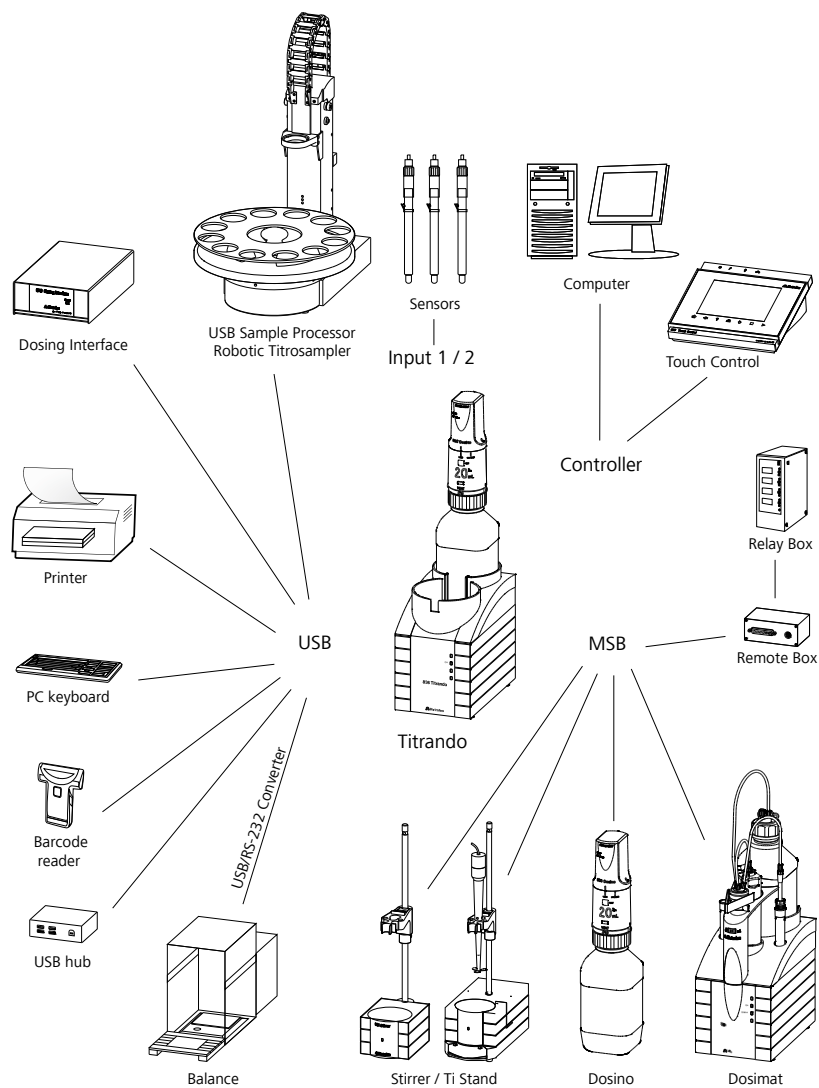


Figure 1 The Titrando system



Up to three control instruments (Titrandos, Dosing Interface, USB Sample Processor, etc.) can be controlled via USB connection during operation with the 900 Touch Control.

You can request information on special applications in the "Application Bulletins" and "Application Notes", available free of charge through the responsible Metrohm representative. Various monographs on the subjects of titration techniques and electrodes are also available.

Updating the device software is described in the Help for the corresponding PC software.

## 1.2 Instrument description

The 901 Titrandos have the following characteristics:

- **Operation**

Operation is carried out by means of a touch-sensitive Touch Control or with high-performance PC software.

- **MSB connectors**

Four MSB connectors (Metrohm Serial Bus) for connecting dosing devices (Dosimat with exchange unit or Dosino with dosing unit), stirrers, titration stands and Remote Boxes.

- **USB connectors**

Two USB connectors, through which devices such as printers, PC keyboards, barcode readers or additional control instruments (USB Sample Processor, Titrandos, Dosing Interface, etc.) can be connected.

- **Measuring interface**

One measuring input each for:

- a potentiometric electrode (pH, metal or ion-selective electrode)
- a separate reference electrode
- a temperature sensor (Pt1000 or NTC)
- a polarizable electrode
- an iConnect (measuring interface for electrodes with integrated data chip, so-called iTrodes)

## 1.3 Titration modes – Measuring modes – Dosing commands

The 901 Titrande supports the following titration modes, measuring modes and dosing commands:

- **SET**  
Endpoint titration at one or two specified endpoints.  
Measuring modes:
  - **pH** (pH measurement)
  - **U** (potentiometric voltage measurement)
  - **Ip<sub>ol</sub>** (voltametric measurement with selectable polarization current)
  - **Up<sub>ol</sub>** (amperometric measurement with selectable polarization voltage)
- **KFT**  
Volumetric water content determination according to Karl Fischer.  
Measuring modes:
  - **Ip<sub>ol</sub>** (voltametric measurement with selectable polarization current)
  - **Up<sub>ol</sub>** (amperometric measurement with selectable polarization voltage)
- **MEAS**  
The following measuring modes can be selected for measurements:
  - **pH** (pH measurement)
  - **U** (potentiometric voltage measurement)
  - **Ip<sub>ol</sub>** (voltametric measurement with selectable polarization current)
  - **Up<sub>ol</sub>** (amperometric measurement with selectable polarization voltage)
  - **T** (temperature measurement)
- **CAL**  
Electrode calibration.  
Measuring mode:
  - **pH** (calibration of pH electrodes)
- **ELT**  
Electrode test for pH electrodes.  
This mode is listed separately only in *tiamo*<sup>™</sup>. In Touch Control, the electrode test is a component part of the CAL calibration mode.



### ▪ Dosing commands

The following commands for dosing can be selected:

- **PREP** (rinsing the cylinder and tubings of an exchange unit or dosing unit)
- **EMPTY** (emptying the cylinder and tubings of a dosing unit)
- **ADD** (dosing a specified volume)
- **LQH** (carrying out complex dosing tasks with a Dosino)

## 1.4 About the documentation



### CAUTION

Please read through this documentation carefully before putting the instrument into operation. The documentation contains information and warnings which the user must follow in order to ensure safe operation of the instrument.

### 1.4.1 Symbols and conventions

The following symbols and formatting may appear in this documentation:

<i>(5-12)</i>	<b>Cross-reference to figure legend</b> The first number refers to the figure number, the second to the instrument part in the figure.
<b>1</b>	<b>Instruction step</b> Carry out these steps in the sequence shown.
<b>Method</b>	<b>Dialog text, parameter</b> in the software
<b>File ▶ New</b>	Menu or menu item
<b>[Next]</b>	<b>Button</b> or <b>key</b>
	<b>WARNING</b> This symbol draws attention to a possible life-threatening hazard or risk of injury.
	<b>WARNING</b> This symbol draws attention to a possible hazard due to electrical current.
	<b>WARNING</b> This symbol draws attention to a possible hazard due to heat or hot instrument parts.

**WARNING**

This symbol draws attention to a possible biological hazard.

**CAUTION**

This symbol draws attention to possible damage to instruments or instrument parts.

**NOTE**

This symbol highlights additional information and tips.

## 1.5 Safety instructions

### 1.5.1 General notes on safety

**WARNING**

This instrument may only be operated in accordance with the specifications in this documentation.

This instrument has left the factory in a flawless state in terms of technical safety. To maintain this state and ensure non-hazardous operation of the instrument, the following instructions must be observed carefully.

### 1.5.2 Electrical safety

The electrical safety when working with the instrument is ensured as part of the international standard IEC 61010.

**WARNING**

Only personnel qualified by Metrohm are authorized to carry out service work on electronic components.

**WARNING**

Never open the housing of the instrument. The instrument could be damaged by this. There is also a risk of serious injury if live components are touched.

There are no parts inside the housing which can be serviced or replaced by the user.



### Mains voltage



#### WARNING

An incorrect mains voltage can damage the instrument.

Only operate this instrument with a mains voltage specified for it (see rear panel of the instrument).

### Protection against electrostatic charges



#### WARNING

Electronic components are sensitive to electrostatic charges and can be destroyed by discharges.

Do not fail to pull the mains cable out of the mains connection socket before you set up or disconnect electrical plug connections at the rear of the instrument.

### 1.5.3 Working with liquids



#### CAUTION

Periodically check all system connections for leaks. Observe the relevant regulations in respect to working with flammable and/or toxic fluids and their disposal.

### 1.5.4 Flammable solvents and chemicals



#### WARNING

All relevant safety measures are to be observed when working with flammable solvents and chemicals.

- Set up the instrument in a well-ventilated location (e.g. fume cupboard).
- Keep all sources of flame far from the workplace.
- Clean up spilled liquids and solids immediately.
- Follow the safety instructions of the chemical manufacturer.

### 1.5.5 Recycling and disposal



This product is covered by European Directive 2002/96/EC, WEEE – Waste from Electrical and Electronic Equipment.

The correct disposal of your old equipment will help to prevent negative effects on the environment and public health.

More details about the disposal of your old equipment can be obtained from your local authorities, from waste disposal companies or from your local dealer.



## 2 Overview of the instrument

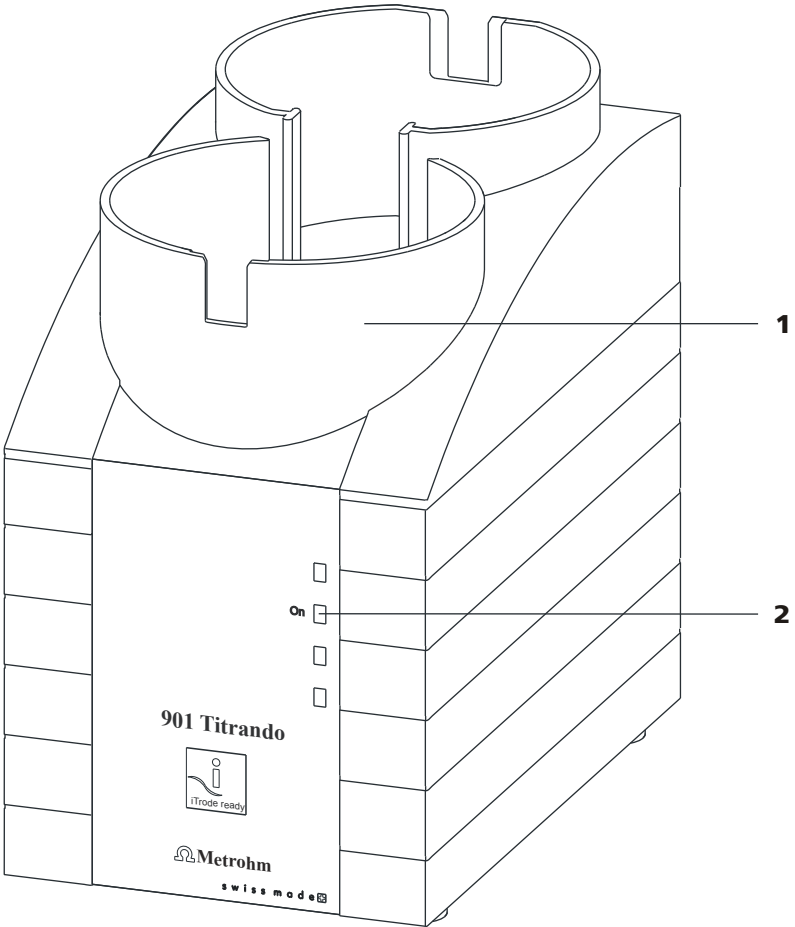


Figure 2 Front 901 Titrandometer

**1 Bottle holder**  
With holding clamps, for two reagent bottles.

**2 "On" LED**  
Lights up when the Titrandometer is ready for operation.



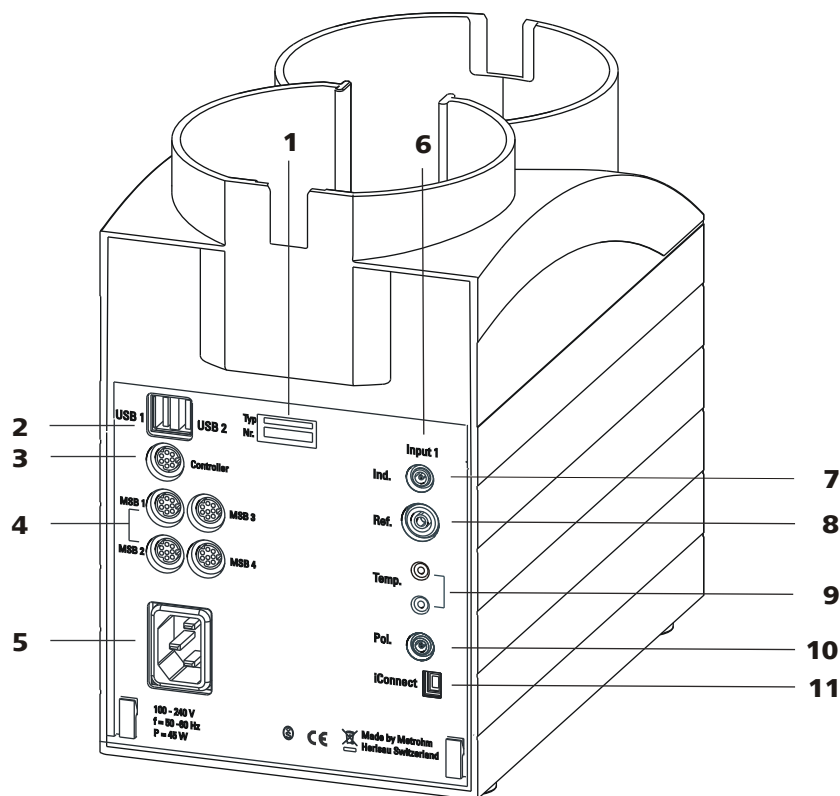


Figure 3 Rear 901 Titrand

<p><b>1 Type plate</b> Contains specifications concerning supply voltage, instrument type and serial number.</p>	<p><b>2 USB connector (USB 1 and USB 2)</b> USB ports (type A) for connecting printer, keyboard, barcode reader, additional Titrandos, USB Sample Processor, etc.</p>
<p><b>3 Connector (Controller)</b> For connecting a Touch Control or a PC with installed PC software. Mini DIN, 9-pin.</p>	<p><b>4 MSB connector (MSB 1 to MSB 4)</b> Metrohm Serial Bus. For connecting external dosing devices, stirrers or Remote Boxes. Mini DIN, 9-pin.</p>
<p><b>5 Power socket</b></p>	<p><b>6 Measuring interface 1 (Input 1)</b></p>
<p><b>7 Electrode connector (Ind.)</b> For connecting pH, metal or ion-selective electrodes with integrated or separated reference electrode. Socket F.</p>	<p><b>8 Electrode connector (Ref.)</b> For connecting reference electrodes, e.g. Ag/AgCl reference electrode. Socket B, 4 mm.</p>
<p><b>9 Temperature sensor connector (Temp.)</b> For connecting temperature sensors (Pt1000 or NTC). Two B sockets, 2 mm.</p>	<p><b>10 Electrode connector (Pol.)</b> For connecting polarizable electrodes, e.g. double Pt wire electrodes. Socket F.</p>
<p><b>11 Electrode connector (iConnect)</b> For connecting electrodes with integrated data chip (iTrodes).</p>	



## 3 Installation

### 3.1 Setting up the instrument

#### 3.1.1 Packaging

The instrument is supplied in highly protective special packaging together with the separately packed accessories. Keep this packaging, as only this ensures safe transportation of the instrument.

#### 3.1.2 Checks

Immediately after receipt, check whether the shipment has arrived complete and without damage by comparing it with the delivery note.

#### 3.1.3 Location

The instrument has been developed for operation indoors and may not be used in explosive environments.

Place the instrument in a location of the laboratory which is suitable for operation, free of vibrations, protected from corrosive atmosphere, and contamination by chemicals.

The instrument should be protected against excessive temperature fluctuations and direct sunlight.

### 3.2 Connecting a controller

#### 3.2.1 Operation

Two different versions are available for operating the 901 Titrande:

- A Touch Control with touch-sensitive screen. It forms a "stand-alone instrument" together with the 901 Titrande.
- A computer enables operation of the 901 Titrande with the help of a PC software, e.g. *tiamo*.



#### CAUTION

Take care to ensure that the power supply cable is pulled out of the power socket before either setting up or disconnecting connections between the instruments.

### 3.2.1.1 Connecting a Touch Control



#### NOTE

The plug is protected against accidental disconnection of the cable by means of a pull-out protection feature. If you wish to pull out the plug, you will first need to pull back the outer plug sleeve marked with arrows.

Connect the Touch Control as follows:

- 1 ■ Insert the plug of the Touch Control connection cable into the **Controller** socket.

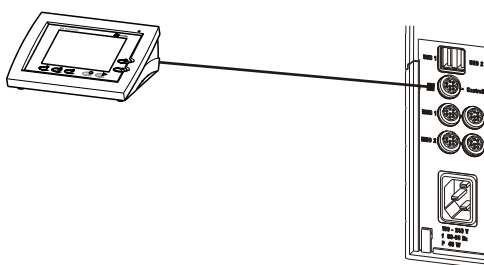


Figure 4 Connecting the Touch Control

- 2 ■ Connect the MSB devices (see Chapter 3.3, page 14).
  - Connect the USB devices (see Chapter 3.4, page 18).

- 3 ■ Connect the Titrando to the power supply.

- 4 ■ Switch on the Touch Control.

The Touch Control power supply is supplied through the Titrando. Automatic system tests are performed on both instruments at the time of activation. The **On** LED on the front of the Titrando lights up when the system test has been completed and the instrument is ready for operation.

**CAUTION**

The Touch Control must be shut down properly by deactivation with the power switch on the rear of the instrument before the power supply is interrupted. If this is not done, then there is a danger of data loss. Because of the fact that the power supply for the Touch Control is provided through the Titrandu, you must never disconnect the Titrandu from the power supply (e.g. by deactivating with a connector strip) before you have deactivated the Touch Control.

If you would prefer not to position the Touch Control directly next to the Titrandu, then you can lengthen the connection with the 6.2151.010 cable. The maximum connection length permitted is 5 m.

**3.2.1.2 Connecting a computer**

The 901 Titrandu requires a USB connection to a computer in order to be able to be controlled by a PC software. Using a 6.2151.000 controller cable, the instrument can be connected directly, either to a USB socket on a computer, to a connected USB hub or to a different Metrohm control device.

You need administrator rights for the installation of driver software and control software on your computer.

**Cable connection and driver installation**

A driver installation is required in order to ensure that the 901 Titrandu is recognized by the PC software. To accomplish this, you must comply with the procedures specified. The following steps are necessary:

**1 Installing the software**

- Insert the PC software installation CD and carry out the installation program directions.
- Exit the program if you have started it after the installation.

**2 Establishing the cable connections**

- Connect all peripheral devices to the instrument, *see Chapter 3.3, page 14* and *see Chapter 3.4, page 18*.
- Connect the instrument to the power supply if you have not already done this.  
The "On" LED on the 901 Titrandu is not yet illuminated!
- Connect the instrument to a USB connector (Type A) of your computer (see manual of your computer). The 6.2151.000 cable is used for this purpose.

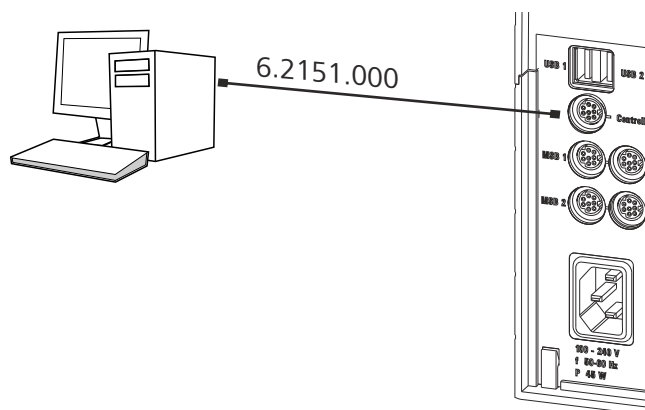


Figure 5 Connecting the computer

The instrument is recognized. Depending on the version of the Windows operating system used, the driver installation proceeds differently afterwards. Either the necessary driver software is installed automatically or an installation wizard is started.

**3** Follow the instructions of the installation wizard.

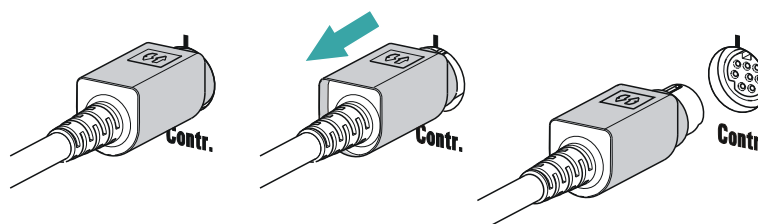
The "On" LED on the 901 Titrande lights up when the driver installation has been completed and the instrument is ready for operation.

If problems should occur during installation, contact your company's IT support team.



**NOTE**

The plug on the instrument end of the 6.2151.000 controller cable is protected against accidental disconnection by means of a pull-out protection feature. If you wish to pull out the plug, you will first need to pull back the outer plug sleeve marked with arrows.



**Registering and configuring the instrument in the PC software**

The instrument must be registered in the configuration of your PC software. Once that has been done, you can then configure it according to your requirements. Proceed as follows:



### 1 Setting up the instrument

- Start the PC software.  
The instrument is automatically recognized. The configuration dialog for the instrument is displayed.
- Make configuration settings for the instrument and its connectors.

More detailed information concerning the configuration of the instrument can be found in the documentation for the respective PC software.

## 3.3 Connecting MSB devices

In order to connect MSB devices, e.g. stirrers or dosing devices, Metrohm instruments are equipped with up to a maximum of four connectors on what is referred to as the *Metrohm Serial Bus* (MSB). Various kinds of peripheral devices can be connected in sequence (in series, as a "daisy chain") at a single MSB connector (8-pin Mini DIN socket) and controlled simultaneously by the respective control device. In addition to the connection cable, stirrers and the Remote Box are each equipped with their own MSB socket for this purpose.

The following figure provides an overview of the instruments that can be connected to an MSB socket, along with a number of different cabling variations.

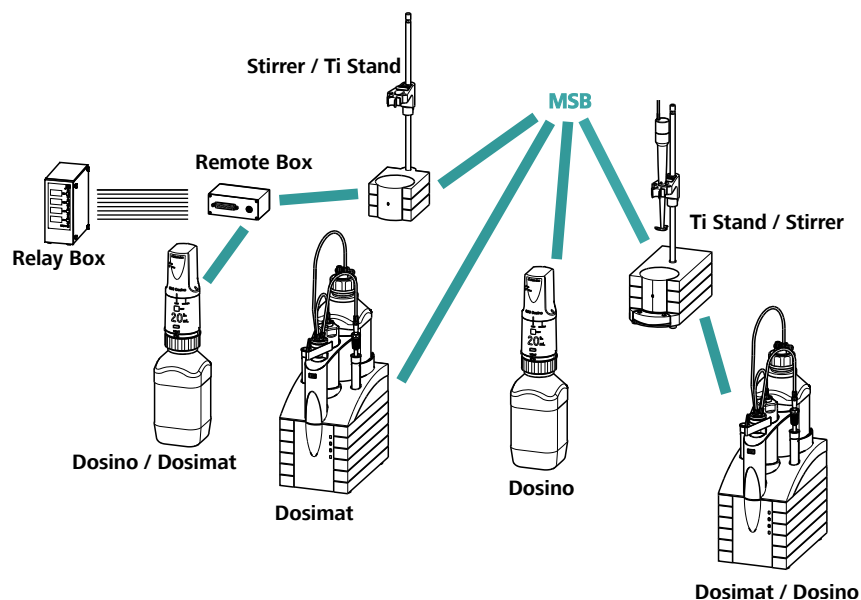


Figure 6 MSB connections

The control device determines which peripheral devices are supported.

**NOTE**

When connecting MSB devices together, the following must be observed:

- Only one device of the same type can be used at a single MSB connector at one time.
- Type 700 Dosino and 685 Dosimat dosing devices cannot be connected together with other MSB instruments on a shared connector. These dosing devices must be connected separately.

**CAUTION**

Exit the control software before you plug in MSB instruments. When it is switched on, the control device automatically recognizes which device is connected to which MSB connector. The operating unit or the control software enters the connected MSB devices into the system configuration (device manager).

MSB connections can be extended with the 6.2151.010 cable. The maximum connection length permitted is 15 m.

### 3.3.1 Connecting a dosing device

Four dosing devices can be connected to the instrument (**MSB 1 to MSB 4**).

The types of dosing devices that are supported are:

- 800 Dosino
- 700 Dosino
- 805 Dosimat
- 685 Dosimat

Proceed as follows:

#### 1 Connecting a dosing device

- Exit the control software.
- Connect the connection cable of the dosing device to one of the sockets marked with **MSB** on the rear of the control device.
- Start the control software.

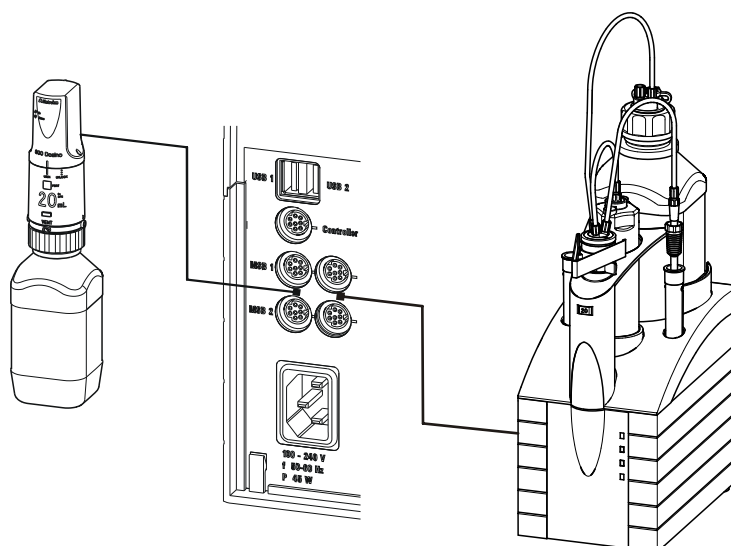


Figure 7 Connecting a dosing device

### 3.3.2 Connecting a stirrer or titration stand

You can use the following instruments:

- With built-in magnetic stirrer (stirring "from below"):
  - 801 Stirrer
  - 803 Ti Stand
- Without built-in magnetic stirrer (stirring "from above"):
  - 804 Ti Stand with propeller stirrer 802 Stirrer

Connect a stirrer or a titration stand as follows:

#### 1 Connecting the stirrer or titration stand

- Exit the control software.
- Connect the connection cable of the magnetic stirrer or of the titration stand to one of the sockets marked with **MSB** on the rear of the control device.
- 804 Ti Stand only: Connect the propeller stirrer to the stirrer connector (socket with stirrer symbol) of the titration stand.
- Start the control software.



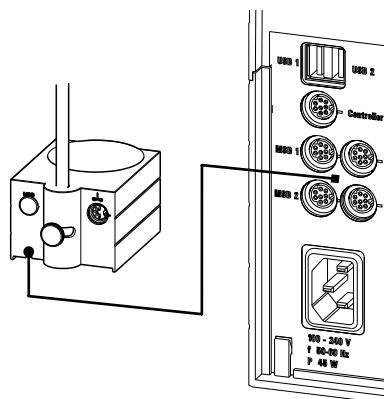


Figure 8 Connecting an MSB stirrer

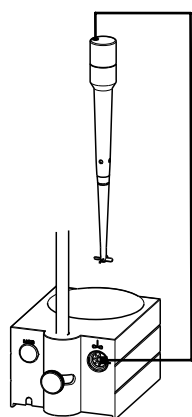


Figure 9 Connecting the propeller stirrer to the titration stand

### 3.3.3 Connecting a Remote Box

Instruments that are controlled via remote lines and/or that send control signals via remote lines can be connected via the 6.2148.010 Remote Box. In addition to Metrohm, other instrument manufacturers also use similar connectors that make it possible to connect different instruments together. These interfaces are also frequently given the designations "TTL Logic", "I/O Control" or "Relay Control" and generally have a signal level of 5 volts.

Control signals are understood to be electrical line statuses or electrical pulses (> 200 ms) which display the operating status of an instrument or which trigger or report an event. Sequences on a variety of instruments can thus be coordinated in a single complex automation system. No exchange of data is possible, however.

Proceed as follows:

#### 1 Connecting the Remote Box

- Exit the control software.



- Connect the Remote Box connection cable to one of the sockets marked with **MSB** on the rear of the control device.
- Start the control software.

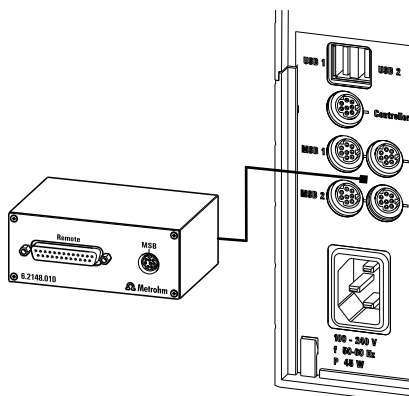


Figure 10 Connecting the Remote Box

You can, for example, connect an 849 Level Control (fill level monitoring in a canister) or a 731 Relay Box (switch box for 230/110 volt alternating current sockets and low-voltage direct current outlets). The Remote Box also has an MSB socket at which a further MSB device, e.g. a dosing device or a stirrer, can be connected.

You will find precise information concerning the pin assignment of the interface on the Remote Box in the appendix.

## 3.4 Connecting USB devices

### 3.4.1 General

The 901 Titrande has two USB connectors (type A sockets) for peripheral devices with USB interfaces. The Titrande functions as a USB hub (distributor) no matter how it is operated. If you wish to connect more than two devices to the USB, you can also use an additional, commercially available USB hub.



#### CAUTION

If you operate the 901 Titrande with the aid of the Touch Control, take care to ensure that the Touch Control is switched off when you set up or disconnect connections between the various instruments. If you use a PC software to control the 901 Titrande, you should exit the program before you set up or disconnect the USB connections.

### 3.4.2 Connecting a USB hub

If you wish to connect more than two devices to the USB connector of the 901 Titrande, you can also use an additional commercially available USB hub (distributor). If you operate the 901 Titrande with the help of the Touch Control, then you should use a USB hub with its own power supply.

Connect the USB hub as follows:

- 1 Switch off the Touch Control and/or exit the PC software.
- 2 With the aid of the 6.2151.020 cable, connect the USB connector of the 901 Titrande (type A) with the USB connector of the hub (type B, see manual for the hub).
- 3 Switch on the Touch Control.

The USB hub is recognized automatically.

### 3.4.3 Connecting a printer

Printers that are connected to the 901 Titrande with Touch Control must meet the following requirements:

- Printer languages: HP-PCL (PCL 3 to 5, PCL 3GUI), Canon BJI Commands or Epson ESC P/2
- Printer resolution: 300 dots/inch or 360 dots/inch (Epson)
- Paper size: A4 or Letter, single-sheet feed.

Connect the printer as follows:

- 1 Switch off the Touch Control.
- 2 With the aid of the 6.2151.020 cable, connect the USB connector of the 901 Titrande (type A) with the USB connector of the printer (type B, see manual for the printer).
- 3 Switch on the printer first, then the Touch Control.
- 4 Configure the printer in the device manager of the Touch Control (see Touch Control manual).

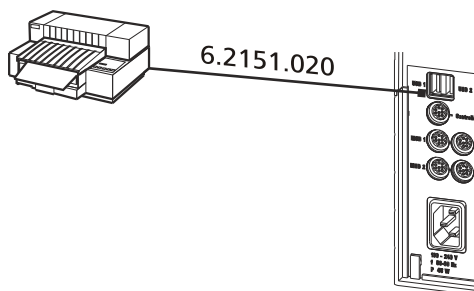


Figure 11 Connecting a printer

### 3.4.4 Connecting a balance

- Operation with a PC software:
  - Connect the balance directly to the serial connector (COM) of the computer. This is usually 9-pin and marked with the symbol **IOIOI**.
- Operation with Touch Control:
  - You will need the 6.2148.050 USB/RS-232 adapter to connect a balance.

The following table offers an overview of the balances that you can use together with the 901 Titrando and of which cable you will need for connection to the RS-232 interface:

Balance	Cable
AND ER, FR, FX with RS-232 interface (OP-03)	6.2125.020 + 6.2125.010
Mettler AB, AG, PR (LC-RS9)	In the scope of delivery for the balance
Mettler AM, PM, PE with interface option 016 or Mettler AJ, PJ with interface option 018	6.2146.020 + 6.2125.010  Also from Mettler: ME 47473 adapter and either ME 42500 hand switch or ME 46278 foot switch
Mettler AT	6.2146.020 + 6.2125.010  Also from Mettler: ME 42500 hand switch or ME 46278 foot switch
Mettler AX, MX, UMX, PG, AB-S, PB-S, XP, XS	6.2134.120

Balance	Cable
Mettler AE with interface option 011 or 012	6.2125.020 + 6.2125.010 Also from Mettler: ME 42500 hand switch or ME 46278 foot switch
Ohaus Voyager, Explorer, Analytical Plus	Cable AS017-09 from Ohaus
Precisa balances with RS-232-C interface	6.2125.080 + 6.2125.010
Sartorius MP8, MC, LA, Genius, Cubis	6.2134.060
Shimadzu BX, BW	6.2125.080 + 6.2125.010

### Operation with Touch Control

Connect the balance as follows:

- 1 Plug in the USB plug of the USB/RS-232 adapter at the USB connector of the 901 Titrando.
- 2 Connect the RS-232 interface of the USB/RS-232 adapter with the RS-232 interface of the balance (see table for cable).
- 3 Switch on the Touch Control.
- 4 Switch on the balance.
- 5 Activate the RS-232 interface of the balance if necessary.
- 6 Configure the RS-232 interface of the USB/RS-232 adapter in the device manager of the Touch Control (see Touch Control manual).

#### 3.4.5 Connecting a PC keyboard (only for operation with Touch Control)

The PC keyboard is used as an aid for text and numerical input.

Connect the PC keyboard as follows:

- 1 Insert the USB plug of the keyboard into one of the USB sockets of the 901 Titrando.



- 2 Switch on the Touch Control.

The keyboard is recognized automatically and entered in the device manager.

- 3 Configure the keyboard in the device manager of the Touch Control (see Touch Control manual).

### 3.4.6 Connecting a barcode reader

The barcode reader is used as an aid for text and numerical input. You can connect a barcode reader with USB interface.

#### Operation with Touch Control

Connect the barcode reader as follows:

- 1 Insert the USB plug of the barcode reader into one of the USB sockets of the 901 Titrande.
- 2 Switch on the Touch Control.  
The barcode reader is recognized automatically and entered in the device manager.
- 3 Configure the barcode reader in the device manager of the Touch Control (see Touch Control manual).

#### Settings on the barcode reader:

Program the barcode reader as follows (see also the manual for the barcode reader):

- 1 Switch the barcode reader to programming mode.
- 2 Specify the desired layout for the keyboard (USA, Germany, France, Spain, German-speaking Switzerland).  
This setting must match the setting in the device manager (see the Touch Control manual).
- 3 Make sure that the barcode reader is set in such a way that Ctrl characters (ASCII 00 to 31) can be sent.

- 4 Program the barcode reader in such a way that the ASCII character 02 (STX or Ctrl B) is sent as the first character. This first character is normally referred to as the "Preamble" or "Prefix Code".
- 5 Program the barcode reader in such a way that the ASCII character 04 (EOT or Ctrl D) is sent as the last character. This last character is normally referred to as the "Postamble", "Record Suffix" or "Postfix Code".
- 6 Exit the programming mode.

## 3.5 Setting up the titration vessel

### 3.5.1 General

During the titration, it is important that the solution be well-mixed. The stirring rate should be high enough for a small "vortex" to appear. If the stirring rate is too high, then air bubbles will be aspirated. This results in incorrect measured values. If the stirring rate is too low, then the solution at the electrode will not be correctly mixed. In order to ensure that measurement is carried out in a well-mixed solution following addition of the titrant, the buret tip should be placed in a position where the turbulence is high. In addition, the distance between the addition of the titrant and the electrode should be as large as possible. Also take into account the stirring direction (counterclockwise or clockwise) when positioning electrode and buret tip (see figure below).

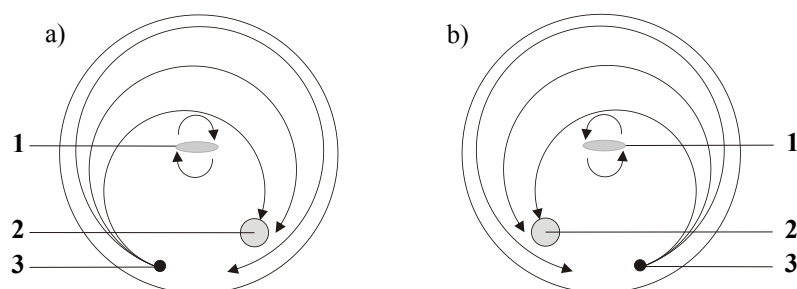


Figure 12 Schematic configuration of magnetic stirrer, electrode and buret tip during a titration. a) stirring direction clockwise, b) stirring direction counterclockwise.

**1** Magnetic stirrer

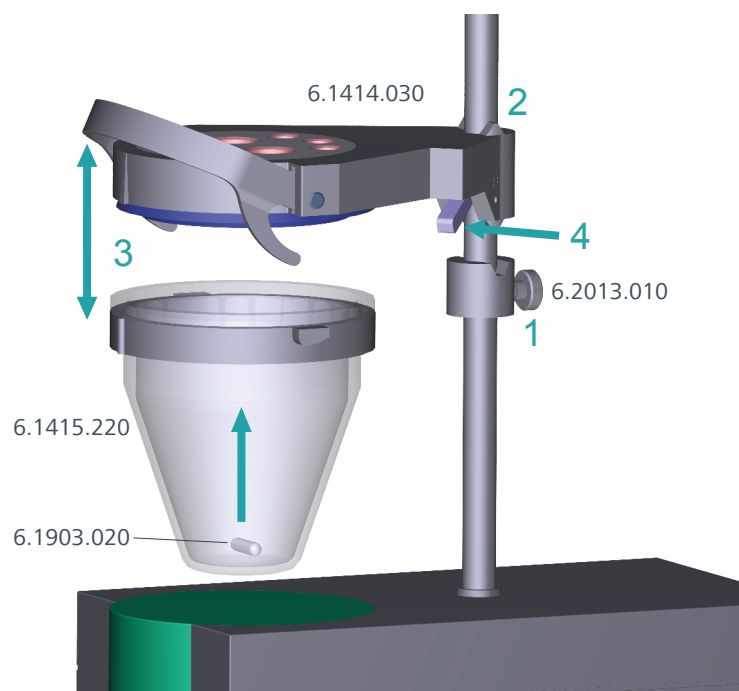
**2** Electrode

**3** Buret tip



### 3.5.2 Titration vessel for volumetric KF titration

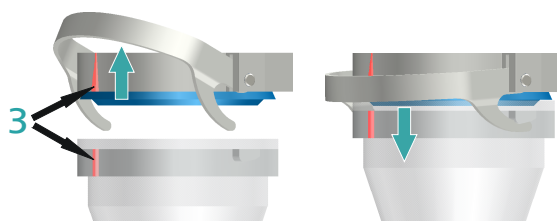
#### Mounting the KF titration cell



Proceed as follows:

- 1** Screw the 6.2013.010 clamping ring tightly to the support rod.
- 2** Fix the 6.1414.030 vessel lid of the KF titration cell (with correctly inserted sealing ring from the 6.1244.040 sealing set) to the support rod. Keep the locking lever pressed down until it can be released at the desired position.
- 3** Fasten the 6.1415.220 (or 6.1415.250) titration vessel with a 6.1903.020 (or 6.1903.030) stirring bar inside on the vessel lid. Fold back the holding bracket upwards while doing so. The markings on the vessel lid and on the plastic ring must be aligned above one another. Afterwards, press the holding bracket downwards in order to fix the titration vessel. The levers of the holding bracket must enclose the pins of the plastic ring on the titration vessel in order to ensure a secure hold.





- 4 Adjust the height of the KF titration cell by pressing the locking lever. It should almost touch the surface of the stirrer. The position can now be fixed by readjusting the clamping ring.

Once the height of the KF titration cell has been adjusted correctly, the entire cell can be raised and swiveled as required by pressing the locking lever.

### Filling the adsorber tube

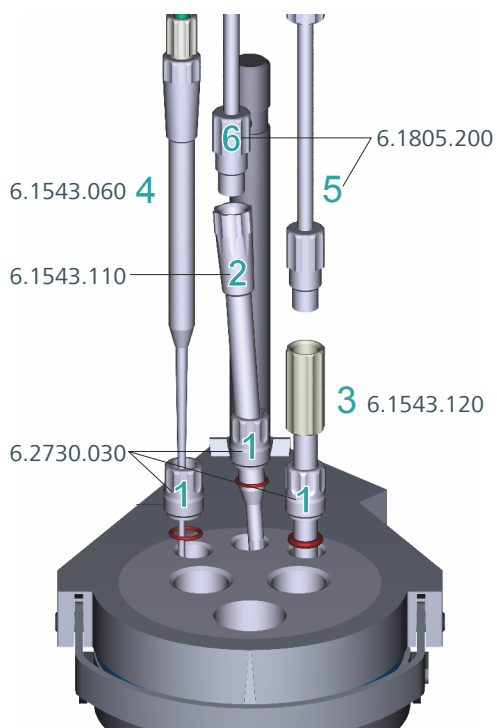
Before insertion, the 6.1403.040 adsorber tube must be filled with the 6.2811.000 molecular sieve. Proceed as follows:



- 1 Insert a small cotton plug into the bottom of the adsorber tube. Do not pack the cotton too tightly.
- 2 Fill the molecular sieve up to the  $\frac{3}{4}$  level.
- 3 Place a small cotton plug on the molecular sieve. Do not pack the cotton too tightly.
- 4 Seal the adsorber tube with the appropriate cover.



### Inserting the dosing tip, aspiration tip and buret tip

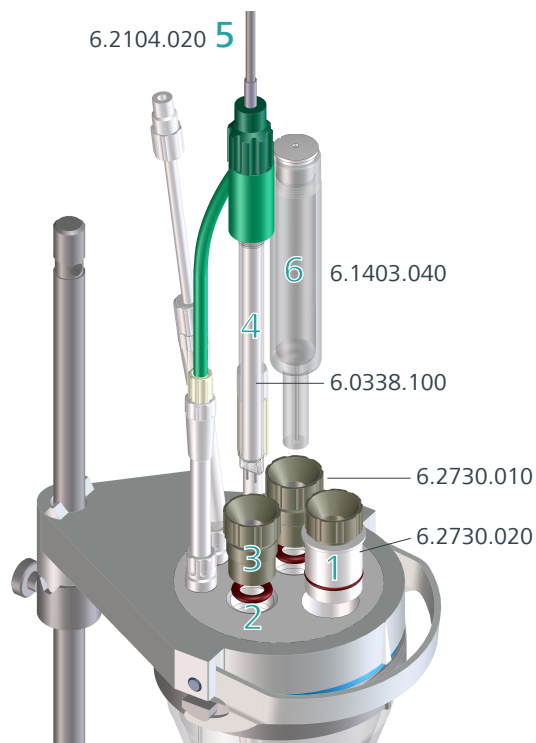


Proceed as follows:

- 1** Place the three screw nipples from 6.2730.030 (including O-rings, but without stoppers) in the rear openings of the vessel lid.
- 2** Insert the 6.1543.110 dosing tip through the screw nipple in the middle rear opening.
- 3** Insert the 6.1543.120 aspiration tip through the screw nipple in the right rear opening.  
When solvent is aspirated, the end of the aspiration tip must touch the vessel base, but it must not inhibit the action of the stirring bar.  
The aspiration tip can, if needed, be pulled out of the solvent.
- 4** Insert the 6.1543.060 buret tip through the screw nipple in the left rear opening.
- 5** Screw the 6.1805.200 PTFE M8 tubing of the aspiration bottle onto the aspiration tip.

- Screw the 6.1805.200 PTFE M8 tubing of the solvent bottle onto the dosing tip.

### Inserting electrode, adsorber tube and septum stoppers



Proceed as follows:

- Introduce the 6.2730.020 septum stopper (with septum inserted) into the front opening of the vessel lid.
- Insert the O-rings of the electrode and of the adsorber tube into the middle openings of the vessel lid.
- Screw the two 6.2730.010 screw nipples into the openings with the O-rings. Do not screw too tightly.
- Introduce the 6.0338.100 double Pt electrode into the left-hand opening and then tighten the screw nipple until it seals.
- Screw the 6.2104.020 electrode cable tightly onto the electrode.



- 6 Insert the filled 6.1403.040 adsorber tube on the right of the electrode into the remaining opening and then tighten the screw nipple until it seals.

## 3.6 Connecting sensors

The measuring interface contains the following measuring inputs:

- **Ind.** for a potentiometric electrode (pH, metal or ion-selective electrode)
- **Ref.** for a separate reference electrode
- **Temp.** for a temperature sensor (Pt1000 or NTC)
- **Pol.** for a polarizable electrode
- **iConnect** for an iConnect (measuring interface for electrodes with integrated data chip, so-called iTrodes)

### 3.6.1 Connecting a pH, metal or ion-selective electrode

Connect the pH, metal or ion-selective electrode as follows:

- 1 Plug the electrode plug into the **Ind.** socket of the 901 Titrand.

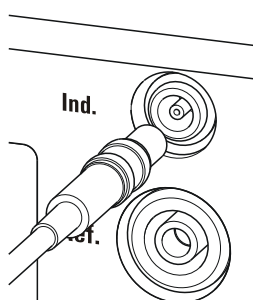


Figure 13 Connecting a pH, metal or ion-selective electrode



#### NOTE

The electrode cable is protected against accidental disconnection of the cable by means of a pull-out protection. If you wish to pull out the plug again, you will first need to pull back the outer plug sleeve.

### 3.6.2 Connecting a reference electrode

Connect the reference electrode as follows:

- 1 Plug the electrode plug into the **Ref.** socket of the 901 Titrande.

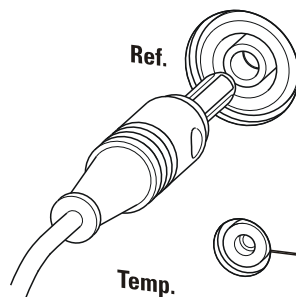


Figure 14 Connecting a reference electrode

### 3.6.3 Connecting a polarizable electrode

Connect the polarizable electrode as follows:

- 1 Plug the electrode plug into the **Pol.** socket of the 901 Titrande.

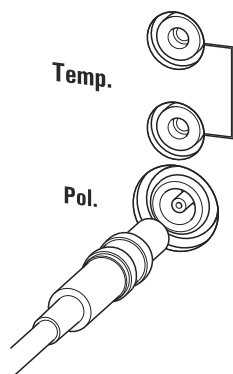


Figure 15 Connecting a polarizable electrode



#### NOTE

The electrode cable is protected against accidental disconnection of the cable by means of a pull-out protection. If you wish to pull out the plug again, you will first need to pull back the outer plug sleeve.



### 3.6.4 Connecting a temperature sensor or an electrode with integrated temperature sensor

A temperature sensor of the Pt1000 or NTC type can be connected to the **Temp.** connector.

Connect the temperature sensor or the electrode with integrated temperature sensor as follows:

- 1 Insert the plugs of the temperature sensor into the **Temp.** sockets of the Titrande.

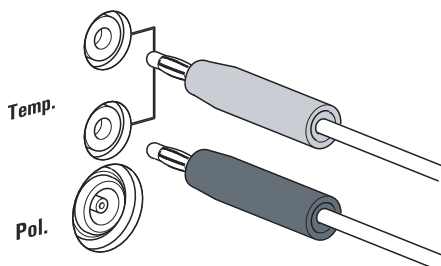


Figure 16 Connecting a temperature sensor or an electrode with integrated temperature sensor



#### NOTE

Always insert the red plug into the red socket. This is the only way that shielding against electrical interference can be ensured.

### 3.6.5 Connecting an iConnect

An external 854 iConnect measuring interface can be connected to the 901 Titrande.

Connect the iConnect as follows:

- 1 Plug the iConnect plug into the **iConnect** socket of the 901 Titrande.

Take care to ensure that the marking on the plug matches the marking on the Titrande as shown in the figure.

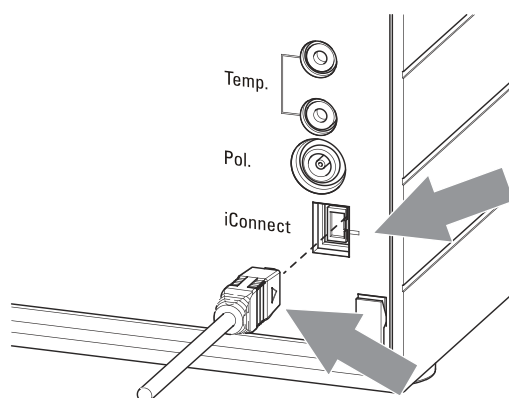


Figure 17 Connecting the iConnect

The iConnect is detected automatically and entered as measuring input into the device properties of the Titrando. If an electrode is connected to the iConnect that is not yet included in the list of sensors for the control software, then a corresponding message will be displayed.

The iConnect can be plugged in and unplugged while the Titrando is switched on.

An electrode with integrated data chip, referred to as iTrode, is connected to the iConnect.

Connect the electrode as follows:

- 1 Remove the protective caps on the iConnect and the electrode.
- 2 Plug in the electrode on the iConnect as illustrated below.



Figure 18 Connecting an electrode to the iConnect

The guide pin guarantees correct connection in such a way that the contact pins cannot be damaged.

- 3 Screw the iConnect tightly.

### 3.6.6 Differential potentiometry

Potentiometric measurements with high-ohm measuring chains can be disrupted by electrostatic and electromagnetic fields in media with low conductivity. Use our 6.0229.100 Solvotrode or other special electrodes for pH measurements in organic solvents. If no reliable measurements are possible with these, then a 6.5104.030 (230 V) or 6.5104.040 (115 V) dif-



ferential amplifier can be used. The differential amplifier is connected to the high-ohm measuring input (**Ind.**).

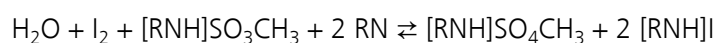


## 4 Karl Fischer titration

### 4.1 Volumetric titration

#### 4.1.1 Principle of the volumetric Karl Fischer titration

The **volumetric Karl Fischer titration** is the classic method of water content determination. It works with a methanolic solution of iodine, sulfur dioxide and a base as buffer substance. If an aqueous sample is titrated, then several reactions take place that can be summarized in the following sum equation:



According to the equation above,  $\text{I}_2$  reacts quantitatively with  $\text{H}_2\text{O}$ . This chemical equation serves as a basis for the water content determination.

The classic Karl Fischer method has undergone continuous further development in recent years. This development did not concern itself solely with the refining and automation of reagent dosing, but also with improving endpoint indication and reagents. The disadvantage of this method is that the reagents are not completely stable. This means that the titer has to be re-determined on a regular basis.

#### 4.1.2 Endpoint determination

The titration endpoint is determined by an electrometric indication method. Double Pt wire electrodes or double Pt ring electrodes are used for this purpose. A distinction is made between the following two indication methods:

##### **Biamperometric indication (Upol)**

A constant potential is applied to the electrodes and the resulting current is measured.

##### **Bivoltametric indication (Ipol)**

A direct or alternating current is applied between the two electrodes and the resulting potential is measured.



### 4.1.3 Karl Fischer reagents

#### One-component reagents

They contain all the reactive parts in a single solution – iodine, sulfur dioxide and a base, dissolved in an appropriate alcohol.

#### Two-component reagents

The reactive parts are distributed among two separated solutions. The titration reagent contains iodine in methanol. The KF solvent is a solution of sulfur dioxide and a base in methanol. It is used as a working medium in the KF titration cell.

### 4.1.4 Application of the Karl Fischer titration

The volumetric Karl Fischer titration is the method of choice for determining quantities of water between 0.1 and 100%. It has the advantage that even solid and pasty samples can be added directly to the titration vessel. In addition, various organic solvents can be used that are tailored to the respective samples.

### 4.1.5 Working with water standards

#### 4.1.5.1 Certified water standards

Commercially available, certified water standards with a water content of  $10.0 \pm 0.1$  mg/g should be used for validating the instrument as a whole, integrated system.

#### 4.1.5.2 Practical recommendations

For validation, it is essential to work very accurately. In order to minimize any measurement inaccuracies that could occur, the sample preparation and the sample processing should proceed in accordance with a defined scheme:

- 1 Put on gloves (always with Karl Fischer titration).
- 2 Use a clean syringe.
- 3 Take a new ampoule of water standard and shake it briefly.
- 4 With a folded paper towel held between thumb and index finger, break open the ampoule at the marking.
- 5 Draw approx. 1 mL of the water standard into the syringe.

- 6** Pull the piston of the syringe up to the end and swing the syringe back and forth somewhat.

The inside of the syringe is being rinsed by water standard and freed from water contamination.

- 7** Dispose of the used water standard in a waste bottle.

- 8** Draw the rest of the water standard into the syringe, aspirating as little air as possible.

- 9** Push out any air bubbles that may be present in the syringe.

- 10** Wipe off the needle with a lint-free paper towel and cover it with the appropriate cap.

- 11** Place the syringe on the balance and press **[TARA]**.

- 12** As soon as the drift on the 901 Titrande is stable, take the syringe by hand, press **[START]** and inject approx. 1 mL of the water standard through the septum.

There are two possibilities:

- Version 1:  
Inject the water standard without immersing the needle in the reagent liquid. If a little drop remains on the end of the needle, it must be aspirated back before pulling the needle out of the septum.  
The water standard should not be sprayed from the syringe onto the electrode nor onto the wall of the titration vessel.
- Version 2:  
Inject the water standard directly under the surface of the reagent liquid.  
Take care to ensure that you do not aspirate any liquid when you withdraw the syringe from the reagent liquid.

- 13** Close the syringe with the same cap and place it back on the balance.

- 14** Read off the value displayed by the balance and enter it as sample size on the Touch Control or in the PC software (e.g. *tiamo*).



- 15** The next determination can be started as soon as the determination has been finished and the titration cell has been conditioned (drift stable) again.

#### 4.1.6 Sample addition

This chapter contains a few notes concerning sample addition. Further notes can be found in the publications of the reagent manufacturers and in the Karl Fischer monograph published by Metrohm.

##### 4.1.6.1 Size of the sample size

The sample weight should be small in order to be able to titrate as many samples as possible in the same electrolyte solution and in order to keep the titration time short. However, ensure that the sample contains at least 50 µg of H<sub>2</sub>O. The following tables provide clues for the sample size.

Table 1 Approximate sample size in grams (5 mL buret)

Water content of the sample	KF reagent 1	KF reagent 2	KF reagent 5
0.5%	0.1 - 0.9	0.2 - 1.8	0.5 - 4.5
1.0%	0.05 - 0.45	0.1 - 0.9	0.25 - 2.25
5.0%		0.02 - 0.18	0.05 - 0.45
10.0%			0.03 - 0.22
25.0%			
50.0%			

Table 2 Approximate sample size in grams (10 mL buret)

Water content of the sample	KF reagent 1	KF reagent 2	KF reagent 5
0.5%	0.2 - 1.8	0.4 - 3.6	
1.0%	0.1 - 0.9	0.2 - 1.8	0.5 - 4.5
5.0%	0.02 - 0.18	0.04 - 0.36	0.1 - 0.9
10.0%		0.02 - 0.18	0.05 - 0.45
25.0%			0.02 - 0.18
50.0%			0.02 - 0.09

Table 3 Approximate sample size in grams (20 mL buret)

Water content of the sample	KF reagent 1	KF reagent 2	KF reagent 5
0.5%	0.4 - 3.6		
1.0%	0.2 - 1.8	0.4 - 3.6	
5.0%	0.04 - 0.36	0.08 - 0.72	0.2 - 1.8
10.0%	0.02 - 0.18	0.04 - 0.36	0.1 - 0.9
25.0%		0.02 - 0.14	0.04 - 0.36
50.0%			0.02 - 0.18

KF reagent 1: 1 mL KF reagent reacts with around 1 mg H<sub>2</sub>O

KF reagent 2: 1 mL KF reagent reacts with around 2 mg H<sub>2</sub>O

KF reagent 5: 1 mL KF reagent reacts with around 5 mg H<sub>2</sub>O

#### 4.1.6.2 Working with liquid samples

**Liquid samples** are added with a syringe. The samples can be injected two different ways:

- One uses a syringe with a long needle, which one immerses in the reagent during the injection.
- One uses a syringe with a short needle and aspirates the last drops back into the needle.

The best way for you to determine the injected sample amount is to reweigh the sample.

Glass syringes should be used for the **determination of traces and validations**. We recommend obtaining these from a specialized syringe manufacturer.

**Highly volatile samples and samples of low viscosity** should be cooled before sampling. Doing so avoids losses while working. The syringe must, however, not be cooled directly, as condensation could form. For the same reason, no air may be aspirated into a syringe into which a cooled sample has been aspirated beforehand.

**Samples of high viscosity** can be thinned by heating. The syringe must be heated as well. The same target can be reached by diluting with suitable solvents. In this case, the water content of the solvent has to be determined and subtracted as blank value.

**Viscous samples** can be added to the measuring cell with a syringe without needle. You can use the ground-joint opening for this. The best way for you to determine the added sample amount is by reweighing the sample.



### 4.1.6.3 Working with solid samples

If possible, solid samples are to be extracted or dissolved in a suitable solvent. The resulting solution is injected, during which a blank value correction for the solvent must be carried out.

If no suitable solvent can be found for a solid sample, or if the sample reacts with the Karl Fischer reagent, then a Karl Fischer oven should be used.

If solid samples have to be directly added to the titration cell, they can be inserted through the ground-joint opening. While doing so, take care to ensure that

- the sample releases its moisture completely.
- no side reaction with the Karl Fischer reagent takes place.
- the surface of the electrode is not covered by the sample substance (incomplete KF reaction!).
- the Pt wires of the indicator electrode do not become damaged.

## 4.1.7 Optimum working conditions

### 4.1.7.1 Drift

A constant drift in the range of  $\leq 10 \mu\text{L}/\text{min}$  is all right. Lower values are, however, quite possible. Higher but stable values will still produce good results, because the drift can be compensated.

A constantly high drift can be caused by water-containing deposits in inaccessible parts of the titration vessel. In these cases, shaking the titration vessel can reduce the value. Make sure that there are no drops above the liquid level in the titration vessel.

When you work with a Karl Fischer oven, a drift  $\leq$  of  $10 \mu\text{L}/\text{min}$  is all right. The drift depends on the gas flow (the smaller the gas flow, the lower the drift).

### 4.1.7.2 Reagent replacement

The electrolyte solution must be replaced in the following cases:

- The titration vessel is too full.
- The drift is too high, and cannot be reduced by shaking the titration vessel.

Exhausted electrolyte solution is best disposed of by aspiration. To do this, you can use, for example, an *803 Ti Stand* with built-in membrane pump. An advantage is that the titration vessel does not have to be disassembled.

In the event of severe contamination, the titration vessel can be rinsed with a suitable solvent which is also aspirated.

### 4.1.7.3 Indicator electrode

A new indicator electrode can take a certain warm-up time for forming the surface. During this time unexpectedly long titration times and high measurement results can occur. This phenomenon will, however, disappear after a short time of use. In order to accelerate the setting of a new indicator electrode, the 901 Titrando can be conditioned e.g. over night.

A contaminated indicator electrode can be carefully cleaned with an abrasive agent (6.2802.000 polishing set or toothpaste). After the cleaning, rinse with ethanol.

The two Pt wires of the indicator electrode should run as parallel as possible to one another. Check the Pt wires before inserting the electrode.



## 5 Operation and maintenance

### 5.1 General notes

#### 5.1.1 Care

The 901 Titrande requires appropriate care. Excess contamination of the instrument may result in functional disruptions and a reduction in the life-time of the otherwise sturdy mechanics and electronics.

Spilled chemicals and solvents should be removed immediately. Above all, the plug connections on the rear of the instrument (in particular the power socket) should be protected from contamination.



#### CAUTION

Although this is extensively prevented by design measures, the power plug should be unplugged immediately if aggressive media have penetrated the inside of the instrument, so as to avoid serious damage to the instrument electronics. In such cases, Metrohm Service must be informed.

#### 5.1.2 Maintenance by Metrohm Service

Maintenance of the 901 Titrande is best carried out as part of an annual service, which is performed by specialist personnel of the Metrohm company. If working frequently with caustic and corrosive chemicals, a shorter maintenance interval could be necessary.

Metrohm Service offers every form of technical advice for maintenance and service of all Metrohm instruments.



## 5.2 Quality Management and qualification with Metrohm

### Quality management

Metrohm offers you comprehensive support in implementing quality management measures for instruments and software. Further information on this can be found in the brochure "**Metrohm Quality Management**" available from your local Metrohm representative.

### Qualification

Please contact your local Metrohm representative for support in qualification of instruments and software. The **Installation Qualification** (IQ) and **Operational Qualification** (OQ) are offered by Metrohm representatives as a service. They are carried out by trained employees using standardized qualification documents and in accordance with the currently applicable requirements of the regulated industry. Further information on this can be found in the brochure "**Analytical Instrument Qualification – Confidence in quality with IQ/OQ**".

### Maintenance

The electronic and mechanical functional groups of Metrohm instruments can and should be checked by specialist personnel from Metrohm as part of a regular preventive maintenance schedule. Please ask your local Metrohm representative regarding the precise terms and conditions involved in concluding a corresponding maintenance agreement. Further information on this can be found in the brochure "**Metrohm Care Contracts – Protect your investment the smart way**" available from your local Metrohm representative.



## 6 Troubleshooting

### 6.1 General

Problem	Cause	Remedy
<b>The "On" LED is not illuminated, even though the instrument is connected to the power supply.</b>	<i>The Touch Control or the computer has not been switched on yet or the plugs are not correctly plugged in.</i>	<ol style="list-style-type: none"> <li>1. Check the plug connections.</li> <li>2. Switch on the Touch Control or the computer.</li> </ol>

### 6.2 Karl Fischer titration

Problem	Cause	Remedy
<b>The drift is very high during conditioning.</b>	<i>The titration cell is leaking.</i>	<ul style="list-style-type: none"> <li>▪ Check the seals and the septum. Replace if necessary.</li> <li>▪ Replace the molecular sieve.</li> </ul>
<b>The drift becomes greater after each titration.</b>	<i>The sample releases water very slowly.</i>	<ul style="list-style-type: none"> <li>▪ Adjust the method.</li> <li>▪ Add solubility promoter.</li> <li>▪ Increase the temperature (possibly using a KF oven).</li> <li>▪ See technical literature.</li> </ul>
	<i>A side reaction is taking place.</i>	<ul style="list-style-type: none"> <li>▪ Use special reagents.</li> <li>▪ Adjust the method (increase/decrease the temperature, external extraction).</li> <li>▪ See technical literature.</li> </ul>
	<i>The pH value is no longer in the optimum range.</i>	Add buffer (see technical literature).
<b>The titration will not be finished.</b>	<i>The titration cell is leaking.</i>	<ul style="list-style-type: none"> <li>▪ Check the seals and the septum. Replace if necessary.</li> <li>▪ Replace the molecular sieve.</li> </ul>
	<i>The minimum increment is too low.</i>	Select the user-defined titration rate and increase the minimum volume increment (see manual/help of the software used).
	<i>The stop criterion is unsuitable.</i>	Adjust the control parameters (see manual/help of the software used): <ul style="list-style-type: none"> <li>▪ Increase the stop drift.</li> </ul>

Problem	Cause	Remedy
		<ul style="list-style-type: none"> <li>Select a short delay time.</li> </ul>
	<i>See also: The drift becomes greater after each titration.</i>	
<b>The sample is over-titrated.</b>	<i>The increments at the end of the titration are too high.</i>	<ul style="list-style-type: none"> <li>Select the user-defined titration rate and reduce the dosing rate (see manual/help of the software used). The following experiment provides a clue for the optimum dosing rate: During conditioning, display the drift and add sample without starting the titration. Select a value below the highest drift as dosing rate.</li> <li>Stir faster.</li> </ul>
	<i>The amount of methanol in the working medium is too low.</i>	<ul style="list-style-type: none"> <li>Replace the working medium.</li> <li>Reduce the amount of solubility promoter, if working with solvent mixtures, see technical literature.</li> </ul>
	<i>The electrode may be covered.</i>	Wipe off the electrode with ethanol or a suitable solvent.
<b>The solution becomes darker after each titration.</b>		Replace the working medium.
	<i>The electrode may be covered.</i>	Wipe off the electrode with ethanol or a suitable solvent.
	<i>The electrode has a short circuit.</i>	<ol style="list-style-type: none"> <li>Check the Pt wires.</li> <li>Activate the electrode check.</li> </ol>
<b>The endpoint is reached too quickly.</b>	<i>The dosing rate outside the control range is too high.</i>	Select the user-defined titration rate and reduce the dosing rate (see manual/help of the software used).
<b>The titration times with volumetric titration are constantly longer.</b>	<i>The buffer capacity of the solvent may be exhausted with two-component reagents.</i>	Replace the working medium.



## 6.3 SET titration

Problem	Cause	Remedy
<b>The titration will not be finished.</b>	<i>The minimum dosing rate is too low.</i>	Select the user-defined titration rate and increase the minimum rate (see manual/help of the software used).
	<i>The stop criterion is unsuitable.</i>	Adjust the control parameters (see manual/help of the software used): <ul style="list-style-type: none"> <li>▪ Increase the stop drift.</li> <li>▪ Select a short delay time.</li> </ul>
<b>The sample is over-titrated.</b>	<i>The control parameters are unsuitable.</i>	Adjust the control parameters (see manual/help of the software used): <ul style="list-style-type: none"> <li>▪ Select Titration rate = <b>slow</b>.</li> <li>▪ Select the user-defined titration rate and increase the control range.</li> <li>▪ Select the user-defined titration rate and reduce the maximum rate.</li> <li>▪ Select the user-defined titration rate and reduce the minimum rate.</li> <li>▪ Stir faster.</li> <li>▪ Arrange the electrode and buret tip to an optimum.</li> </ul>
	<i>The electrode responds too slowly.</i>	Replace the electrode.
<b>The titration time is too long.</b>	<i>The control parameters are unsuitable.</i>	Adjust the control parameters (see manual/help of the software used): <ul style="list-style-type: none"> <li>▪ Select Titration rate = <b>optimal</b> or <b>fast</b>.</li> <li>▪ Select the user-defined titration rate and decrease the control range.</li> <li>▪ Select the user-defined titration rate and increase the maximum rate.</li> <li>▪ Select the user-defined titration rate and increase the minimum rate.</li> </ul>
<b>The results are spread widely.</b>	<i>The minimum dosing rate is too high.</i>	Select user-defined titration rate and decrease the minimum rate (see manual/help of the software used).
	<i>The electrode responds too slowly.</i>	Replace the electrode.

## 7 Appendix

### 7.1 Remote interface

The 6.2148.010 Remote Box allows devices to be controlled which cannot be connected directly to the MSB interface of the Titrando.

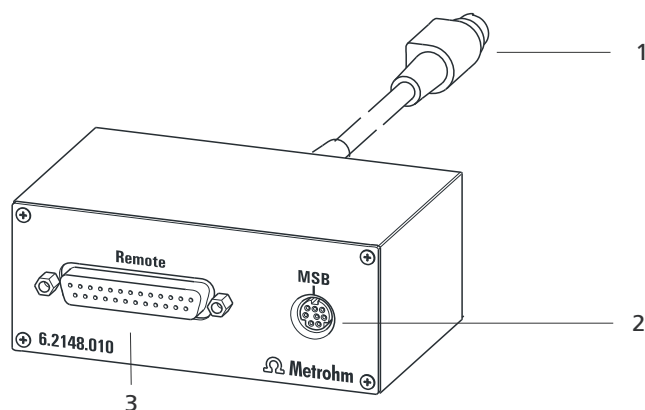


Figure 19 Connectors of the Remote Box

#### 1 Cable

For connecting to the Titrando.

#### 2 MSB connector

Metrohm Serial Bus. For connecting external dosing devices or stirrers.

#### 3 Remote connector

For connecting instruments with a remote interface.

#### 7.1.1 Pin assignment of the remote interface

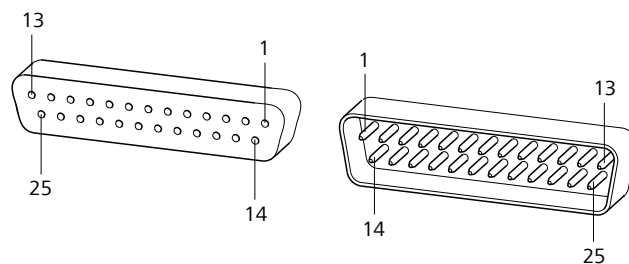
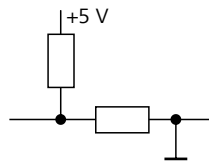


Figure 20 Pin assignment of remote socket and remote plug

The above figure of the pin assignment applies for all Metrohm instruments with 25-pin D-Sub remote connector.



### Inputs

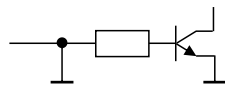


approx. 50 k $\Omega$  Pull-up

$t_p > 20$  ms

active = low, inactive = high

### Outputs



Open Collector

$t_p > 200$  ms

active = low, inactive = high

$I_C = 20$  mA,  $V_{CEO} = 40$  V

+5 V: maximum load = 20 mA

The following tables offer information concerning the assignment of the individual pins and their function:

Table 4 Inputs and outputs of the remote interface

Assignment	Pin No.	Function*
Input 0	21	<b>Start</b>
Input 1	9	<b>Stop</b>
Input 2	22	
Input 3	10	<b>Quit</b>
Input 4	23	–
Input 5	11	
Input 6	24	
Input 7	12	
Output 0	5	<b>Ready</b>
Output 1	18	<b>Conditioning OK</b>
Output 2	4	<b>Determination</b>
Output 3	17	<b>EOD</b>
Output 4	3	
Output 5	16	<b>Error</b>
Output 6	1	
Output 7	2	<b>Warning</b>

Assignment	Pin No.	Function*
Output 8	6	
Output 9	7	
Output 10	8	
Output 11	13	
Output 12	19	
Output 13	20	
0 volts / GND	14	
+5 volts	15	
0 volts / GND	25	

\* Signal activated only for operation with Touch Control.

Table 5 Explanation of the individual functions

Function	Explanation
<b>Start</b>	The current method is started at the time of activation. $t_{\text{pulse}} > 100 \text{ ms}$
<b>Stop</b>	The current method is canceled (Stop) at the time of activation. $t_{\text{pulse}} > 100 \text{ ms}$
<b>Quit</b>	The current command in the determination run will be canceled at the time of activation. $t_{\text{pulse}} > 100 \text{ ms}$
<b>Ready</b>	The instrument is ready to receive a start signal.
<b>Conditioning OK</b>	The line is set when Conditioning with SET titration and KFT titration is at OK. The line remains set until the determination is started with <b>[START]</b> .
<b>Determination</b>	The instrument performs a data-generating determination.
<b>EOD</b>	<b>End of Determination.</b> Pulse ( $t_{\text{pulse}} = 200 \text{ ms}$ ) after a determination or after a buffer/standard solution during calibration using a Sample Processor.
<b>Error</b>	The line is set for error message display.



Function	Explanation
<b>Warning</b>	The line is set for warning message display.



## 8 Technical specifications

### 8.1 Measuring interface

The 901 Titrande has one galvanically isolated measuring interface.

The measuring cycle is 100 ms for all measuring modes.

#### 8.1.1 Potentiometry

One high-ohm measuring input (**Ind.**) for pH, metal or ion-selective electrodes and one measuring input (**Ref.**) for separate reference electrodes.

*Input resistance*  $> 1 \cdot 10^{12} \Omega$

*Offset current*  $< 1 \cdot 10^{-12} \text{ A}$  (under reference conditions)

*Measuring mode*  
pH

*Measuring range*  $-13 - +20 \text{ pH}$

*Resolution* 0.001 pH

*Measuring accuracy*  $\pm 0.003 \text{ pH}$   
( $\pm 1$  digit, without sensor error, under reference conditions)

*Measuring mode*  
U

*Measuring range*  $-1,200 - +1,200 \text{ mV}$

*Resolution* 0.1 mV

*Measuring accuracy*  $\pm 0.2 \text{ mV}$   
( $\pm 1$  digit, without sensor error, under reference conditions)

#### 8.1.2 Temperature

A measuring input (**Temp.**) for temperature sensors of the Pt1000 or NTC type with automatic temperature compensation.

R (25 °C) and B value can be configured for NTC sensors.

*Measuring range*

*Pt1000*  $-150 - +250 \text{ °C}$

*NTC*  $-20 - +250 \text{ °C}$

(R (25 °C) = 30,000  $\Omega$  and B (25/50) = 3,964)

*Resolution*

*Pt1000* 0.1 °C



<i>NTC</i>	0.1 °C
<i>Measuring accuracy</i>	
<i>Pt1000</i>	±0.2 °C (Applies for measuring range -20 - +150 °C; ±1 digit; without sensor error, under reference conditions)
<i>NTC</i>	±0.6 °C (Applies for measuring range +10 - +40 °C; ±1 digit; without sensor error, under reference conditions)

### 8.1.3 Polarizer

One measuring input (**Pol.**) for polarizable electrodes.

<i>Measuring mode</i> <i>I<sub>pol</sub></i>	Determination with adjustable polarization current
<i>Polarization current</i>	-122.5 - +122.5 µA (increment: 0.5 µA) -125.0 - +125.0 µA: non-guaranteed values, dependent on reference voltage +2.5 V
<i>Measuring range</i>	-1,200 - +1,200 mV
<i>Resolution</i>	0.1 mV
<i>Measuring accuracy</i>	±0.2 mV (±1 digit, without sensor error, under reference conditions)
<i>Measuring mode</i> <i>U<sub>pol</sub></i>	Determination with adjustable polarization voltage
<i>Polarization voltage</i>	-1,225 - +1,225 mV (increment: 25 mV) -1,250 - +1,250 mV: non-guaranteed values, dependent on reference voltage +2.5 V
<i>Measuring range</i>	-120 - +120 µA
<i>Resolution</i>	0.1 µA

## 8.2 Power connection

<i>Supply voltage</i>	100 - 240 V
<i>Frequency</i>	50 - 60 Hz
<i>Power consumption</i>	Maximum 45 W
<i>Fuse</i>	Electronic overload protection

## 8.3 Safety specifications

<i>Design and testing</i>	<ul style="list-style-type: none"> <li>▪ EN/IEC 61010-1</li> <li>▪ UL 61010-1</li> <li>▪ CSA-C22.2 No. 61010-1</li> <li>▪ Protection class I</li> </ul>
<i>Safety instructions</i>	The documentation contains safety instructions which have to be followed by the user in order to ensure safe operation of the instrument.

## 8.4 Electromagnetic compatibility (EMC)

<i>Emission</i>	Standards fulfilled: <ul style="list-style-type: none"> <li>▪ EN/IEC 61326-1</li> <li>▪ EN/IEC 61000-6-3</li> <li>▪ EN 55022 / CISPR 22</li> </ul>
<i>Immunity</i>	Standards fulfilled: <ul style="list-style-type: none"> <li>▪ EN/IEC 61326-1</li> <li>▪ EN/IEC 61000-6-2</li> <li>▪ EN/IEC 61000-4-2</li> <li>▪ EN/IEC 61000-4-3</li> <li>▪ EN/IEC 61000-4-4</li> <li>▪ EN/IEC 61000-4-5</li> <li>▪ EN/IEC 61000-4-6</li> <li>▪ EN/IEC 61000-4-11</li> <li>▪ EN/IEC 61000-4-14</li> <li>▪ NAMUR</li> </ul>



## 8.5 Ambient temperature

<i>Nominal function range</i>	+5 - +45 °C
<i>Storage</i>	-20 - +60 °C
<i>Transport</i>	-40 - +60 °C

## 8.6 Reference conditions

<i>Ambient temperature</i>	+25 °C (± 3 °C)
<i>Relative humidity</i>	≤ 60%
<i>Instrument status</i>	Instrument in operation at least 30 min
<i>Adjusting interval</i>	annual

## 8.7 Dimensions

<i>Width</i>	142 mm
<i>Height</i>	227 mm
<i>Depth</i>	231 mm
<i>Weight</i>	2,817 g
<i>Material (housing)</i>	Poly(butylene terephthalate) (PBT)

## 8.8 Interfaces

	<b>USB connectors</b>
<i>USB ports</i>	2 USB downstream ports (type A sockets), 500 mA each, for connecting peripheral devices such as printers, keyboards, barcode readers or RS-232/USB boxes (Metrohm order no. 6.2148.020).
	<b>Connector "Controller"</b>
<i>Controller port</i>	USB upstream port with auxiliary power supply (Mini DIN socket) for connecting Touch Control or computer for controlling the 901 Titrande.
<i>Touch Control</i>	With integrated Touch Control cable.
<i>Computer</i>	With 6.2151.000 cable.

**MSB connectors (Metrohm Serial Bus)**

<i>Dosing device</i>	Connection for a maximum of 4 external dosing devices, models Dosi-mat or Dosino (MSB 1 to MSB 4).
<i>Stirrer</i>	Connection for a maximum of 4 stirrers. Stirrer control: switching on/off manually or coordinated with the titra-tion sequence. Speed in 15 steps and shift direction can be selected.
<i>Remote Box</i>	Connection for a maximum of four Remote Boxes. Remote Boxes can be used to actuate and monitor external devices.



Deficiencies arising from circumstances that are not the responsibility of Metrohm, such as improper storage or improper use, etc., are expressly excluded from the warranty.

Metrohm also offers a 120 month spare parts availability guarantee and a 60 month PC software support warranty, calculated from the date on which the product is withdrawn from the market. The content of this warranty is the ability of the customer to obtain functioning spare parts or appropriate software support at market prices during the time of the warranty period.

If Metrohm AG is unable to meet this obligation due to circumstances beyond the control of Metrohm AG, then the ordering party shall be offered alternative solutions at preferential conditions.



## 10 Accessories



### NOTE

Subject to change without notice.

## 10.1 Scope of delivery





### 10.1.1 2.901.0010

Qty.	Order no.	Description																				
1	1.901.0010	<p><b>Titrande</b></p> <p>The Karl Fischer Titrande for the modern titration laboratory. In addition to the Karl Fischer mode (KFT), the high-end titrator is also equipped with the SET mode and can thus perform titrations to a predefined endpoint. "iTrode ready": As a result of the high-resolution, galvanic measuring interface – now also for the first time with additional digital measuring input for the intelligent "iTrodes" electrodes – it is additionally possible to perform pH measurements with a maximum of precision. Thanks to the four MSB connectors, up to four Dosino dosing systems can be connected to the 901 Titrande. These can be used not only for titration, but also for the automated addition of sample, standard and auxiliary solutions such as solubility promoters. Furthermore, you have all of the Liquid Handling commands at your disposal, which means that the aspiration of exhausted reagent and the addition of fresh solvent can also be automated.</p>																				
1	6.0338.100	<p><b>Double Pt-wire electrode for volumetry</b></p> <p>Double Pt-wire electrode, Metrohm plug-in head G, for volumetric Karl Fischer titration and 684/737 Coulometer (cell with diaphragm).</p> <table> <tbody> <tr> <td>Shaft material:</td> <td>Glass</td> </tr> <tr> <td>Measuring range:</td> <td>-2000 - 2000</td> </tr> <tr> <td>Measuring unit:</td> <td>mV</td> </tr> <tr> <td>Temperature range, long-term (°C):</td> <td>-20 - 70</td> </tr> <tr> <td>Temperature range, short-term (°C):</td> <td>-20 - 70</td> </tr> <tr> <td>SGJ sleeve:</td> <td>No</td> </tr> <tr> <td>Shaft diameter top (mm):</td> <td>8</td> </tr> <tr> <td>Shaft diameter bottom (mm):</td> <td>8</td> </tr> <tr> <td>Min. immersion depth (mm):</td> <td>5</td> </tr> <tr> <td>Electrode plug-in head:</td> <td>Metrohm plug-in head G</td> </tr> </tbody> </table>	Shaft material:	Glass	Measuring range:	-2000 - 2000	Measuring unit:	mV	Temperature range, long-term (°C):	-20 - 70	Temperature range, short-term (°C):	-20 - 70	SGJ sleeve:	No	Shaft diameter top (mm):	8	Shaft diameter bottom (mm):	8	Min. immersion depth (mm):	5	Electrode plug-in head:	Metrohm plug-in head G
Shaft material:	Glass																					
Measuring range:	-2000 - 2000																					
Measuring unit:	mV																					
Temperature range, long-term (°C):	-20 - 70																					
Temperature range, short-term (°C):	-20 - 70																					
SGJ sleeve:	No																					
Shaft diameter top (mm):	8																					
Shaft diameter bottom (mm):	8																					
Min. immersion depth (mm):	5																					
Electrode plug-in head:	Metrohm plug-in head G																					








Qty.	Order no.	Description	
		Indicator electrode type:	Pt
		Indicator electrode shape:	Wire
<b>1</b>	<b>6.1244.040</b>	<b>Set of seals</b>	
<b>1</b>	<b>6.1403.040</b>	<b>KF Adsorber tube</b>	
		Used with KF equipment. Including cover and O-ring.	
		Height (mm):	113
		Outer diameter (mm):	8
<b>1</b>	<b>6.1414.030</b>	<b>KF titration vessel lid</b>	
		For volumetric KF titrations.	
		Material:	PTFE
		Material remark:	Insert
<b>1</b>	<b>6.1415.220</b>	<b>Titration vessel / 20-90 mL</b>	
		Material:	Clear glass
		Height (mm):	80
		Outer diameter (mm):	78
		Volume (mL):	20 - 90

Qty.	Order no.	Description	
1	6.1415.250	<b>Titration vessel / 50-150 mL</b>	
		Material: Clear glass	
		Height (mm): 80	
		Outer diameter (mm): 78	
		Volume (mL): 50 - 150	
2	6.1448.010	<b>Septum 12 mm, 5 pieces</b>	
		Set of 5 items.	
		Material: Silicone rubber	
		Height (mm): 2	
		Outer diameter (mm): 12	
2	6.1903.020	<b>Stirring bar / 16 mm</b>	
		Stirring Bar with magnetic core, PTFE coated, length 16 mm	
		Material: PTFE	
		Outer diameter (mm): 4	
		Length (mm): 16	
2	6.1903.030	<b>Stirring bar / 25 mm</b>	
		Stirring bar with magnetic core, PTFE covering, length 25 mm.	
		Material: PTFE	
		Outer diameter (mm): 5	
		Length (mm): 25	

Qty.	Order no.	Description	
5	6.2043.005	<b>Holding clip for bottles</b> Holding spring for reagent bottles in exchange units.	
1	6.2103.130	<b>Adapter red 2 mm plug / 4 mm socket</b> For connecting plug B (4 mm) to 2 mm socket.	
1	6.2103.140	<b>Adapter black 2 mm plug / B socket 4 mm</b> For connecting plug B (4 mm) to 2 mm socket.	
1	6.2104.020	<b>Electrode cable / 1 m / F</b> For connecting electrodes with Metrohm plug-in head G to Metrohm instruments (socket F). Length (m): 1	




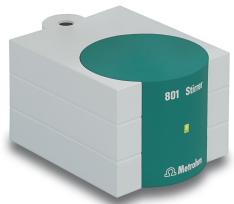

Qty.	Order no.	Description	
1	6.2412.000	<b>Weighing boats</b>	
		<p>Weighing boat made of glass for the 6.1414.030 titration vessel lid or the 6.1455.31X, 6.1464.32X, 6.1465.320 titration vessel. For KF water determinations. Including protective tube.</p> <p>Material: Glass</p> <p>Length (mm): 120</p>	
2	6.2730.010	<b>Screw nipple</b>	
		<p>Made of PP. For 6.1448.010 Septum or for mounting 6.1403.040 Drying tube or 6.0338.100 Electrode in 6.1414.030 and 6.1414.040 KF Titration vessel lids. Used for KF titrations.</p> <p>Material: PP</p> <p>Inner diameter (mm): 11.5</p> <p>Length (mm): 23.5</p>	
1	6.2730.020	<b>Septum stopper</b>	
		<p>With E.301.0041 O-ring. For 6.1448.010 Septum and 6.1414.030 Titration vessel lid. Used for KF applications.</p> <p>Outer diameter (mm): 18</p> <p>Length (mm): 30</p>	

Qty.	Order no.	Description
3	6.2730.030	<p><b>Stopper</b></p> <p>Complete with nipple and E.301.0043 O-ring. For 6.1414.030 titration vessel lid. For KF instruments, VA measurement stands, VA Computrace and IC Dilution.</p> <p>Length (mm): 38</p>
		
1	6.2811.000	<p><b>Molecular sieve</b></p> <p>Molecular sieve. Bottle containing 250 g. Pore size: 0.3 nm. Without moisture indicator. For Rancimats and Karl Fischer instruments.</p>
		
1	6.2122.0x0	<p><b>Power supply cable with IEC 60320 line socket, type C13</b></p> <p>Cable plug according to customer requirements.</p> <p>Switzerland: SEV 1011, Type 12 6.2122.020</p> <p>Germany, ...: CEE 7, Type VII 6.2122.040</p> <p>USA, ...: NEMA 5-15, Type 498 6.2122.070</p> <p>Length: 1.5 m</p>
1	8.901.8003EN	<b>901 Titrand Manual</b>



## 10.2 Optional accessories

### 10.2.1 2.901.0010

Order no.	Description	
<b>2.136.0100</b>	<b>Polytron PT 1300 D</b>	
	Polytron PT 1300 D - Metrohm Version Homogenizer with digital display that can be actuated directly via tiamo™ or Touch Control.	
<b>2.800.0010</b>	<b>800 Dosino</b>	
	Drive with write/read hardware for intelligent Dosing Units. With fixed cable (length 150 cm).	
<b>2.801.0040</b>	<b>801 Stirrer with stand</b>	
	Magnetic stirrer including base plate, support rod and electrode holder for supplementing the Titrino plus, Dosimat plus, Titrandos, Sample Processors, 805 Dosimat and 780/781 pH meters as well as the 856 and 867 measuring modules. With permanently attached cable for MSB (Metrohm Serial Bus).	
<b>2.803.0010</b>	<b>803 TI Stand with stirrer and pump</b>	
	Compact titration stand with magnetic stirrer and built-in pump for solvent addition and aspiration of the titration vessel contents. Suitable for Karl Fischer titrations with Titrandos. MSB connection. Including comprehensive accessories, solvent bottle and waste bottle.	
	Dimensions in mm (W/H/D): 106/101/220	
	Dimensions remark: Height with support rod: 412 mm	
<b>2.860.0010</b>	<b>860 KF Thermoprep</b>	
	The 860 KF Thermoprep is designed for thermal sample preparation in Karl Fischer titration. Numerous substances cannot be analysed by direct Karl Fischer titration as they are not soluble, react with the Karl Fischer reagent or release	

Order no.	Description
-----------	-------------

their water only very slowly or not until heated to high temperatures. Using tightly sealed sample vials, the sample is inserted in the oven. The samples can be subsequently analysed by any volumetric or coulometric KF titrator.

Dimensions in mm (W/H/D): 440/500/230

<b>6.2148.010</b>	<b>Remote Box MSB</b>
-------------------	-----------------------

Additional remote interface for the connection of devices that can be controlled via remote lines. With permanently attached cable.



<b>6.2148.020</b>	<b>RS-232/USB box</b>
-------------------	-----------------------

Extends the Titrando, USB Sample Processors, Dosing Interface, Titrosampler by two RS-232 interfaces for connecting e.g. balances, PC, LIMS. Requires 6.2151.030 cable.



<b>6.3032.120</b>	<b>Dosing Unit 2 mL</b>
-------------------	-------------------------

Dosing unit with integrated data chip with 2 mL glass cylinder and light protection, mountable on reagent bottle with ISO/DIN GL45 glass thread. FEP tubing connection, anti-diffusion buret tip.

Volume (mL): 2



<b>6.3032.150</b>	<b>Dosing Unit 5 mL</b>
-------------------	-------------------------

Dosing unit with integrated data chip with 5 mL glass cylinder and light protection, mountable on reagent bottle with ISO/DIN GL45 thread. FEP tubing connection, anti-diffusion buret tip.

Volume (mL): 5






<b>6.3032.210</b>	<b>Dosing Unit 10 mL</b>
-------------------	--------------------------

Dosing unit with integrated data chip with 10 mL glass cylinder and light protection, mountable on reagent bottle with ISO/DIN GL45 thread. FEP tubing connection, anti-diffusion buret tip.

Volume (mL): 10





Order no.	Description	
<b>6.3032.220</b>	<b>Dosing Unit 20 mL</b>	
	<p>Dosing unit with integrated data chip with 20 mL glass cylinder and light protection, mountable on reagent bottle with ISO/DIN GL45 thread. FEP tubing connection, anti-diffusion buret tip.</p> <p>Volume (mL): 20</p>	
<b>6.3032.250</b>	<b>Dosing Unit 50 mL</b>	
	<p>Dosing unit with integrated data chip with 50 mL glass cylinder and light protection, mountable on reagent bottle with ISO/DIN GL45 thread. FEP tubing connection, anti-diffusion buret tip.</p> <p>Volume (mL): 50</p>	
<b>2.900.0010</b>	<b>900 Touch Control</b>	
	<p>Operating unit for the Titrandos, USB Sample Processors, 856 Conductivity Module, 867 pH Module and 846 Dosing Interface. Touch-sensitive, high-resolution color display, simple and intuitive operation, thanks to favorites for direct method access. With integrated Ethernet interface for direct connection to the Internet and USB interface for connecting USB printers or a USB memory stick.</p>	
<b>6.6056.231</b>	<b>tiamo™ 2.3 Light CD: 1 license</b>	
	<p>tiamo™ 2.3 light computer program for controlling a titration system. Up to two instruments can be connected Graphical method editor with numerous templates Layout Manager for customizing the user interface Professional database with reevaluation High-performance report generator No parallel titration, no data export 1 license Dialog languages: German, English</p>	
<b>6.6056.232</b>	<b>tiamo™ 2.3 Full CD: 1 license</b>	
	<p>computer program for controlling complex titration systems.</p>	
<b>6.6056.233</b>	<b>tiamo™ 2.3 Multi CD: 3 licenses</b>	
	<p>Client/server-compatible computer program for controlling complex titration systems.</p>	



# Index

## Numbers/Symbols

6.2151.000 controller cable .....	12
685 Dosimat .....	15
700 Dosino .....	15
800 Dosino .....	15
801 Stirrer .....	16
803 Ti Stand .....	16
804 Ti Stand .....	16
805 Dosimat .....	15

## A

ADD .....	4
-----------	---

## B

Balance .....	20
Barcode reader	
Connect .....	22

## C

Calibration mode	
CAL .....	3
Computer	
Connect .....	12
Connect	
Balance .....	20
Barcode reader .....	22
Computer .....	12
Dosing device .....	15
iConnect .....	30
MSB devices .....	14
PC keyboard .....	21
Printer .....	19
Remote Box .....	17
Stirrer .....	16
Titration stand .....	16
Touch Control .....	11
USB hub .....	19
Connector	
MSB .....	2
USB .....	2
Controller	
Connector .....	9

## D

Device software	
Update .....	2
Differential potentiometry .....	31
Dosing command .....	3
ADD .....	4
EMPTY .....	4

LQH .....	4
PREP .....	4
Dosing device	
Connect .....	15
Driver software	
Install .....	12

## E

Electrode	
Connect .....	28
Electrode test	
ELT .....	3
Electrostatic charge .....	6
EMPTY .....	4

## G

GLP .....	41
Guarantee .....	54

## I

iConnect	
Connect .....	30
Indicator electrode	
Warm-up time .....	39
Installation	
Driver software .....	12
Instrument description .....	2
Instrument type .....	9

## K

Keyboard	
Connect .....	21
KFT .....	3

## L

LED	
On .....	42
LQH .....	4

## M

Mains voltage .....	6
Maintenance .....	40
Maintenance Agreement .....	41
MEAS .....	3
Measuring interface .....	2, 9
Measuring mode .....	3
MEAS .....	3
Metrohm Serial Bus MSB, see also	
"MSB" .....	14

## MSB

Connect devices .....	14
Connector .....	9
MSB connector .....	2

## O

Overview of the instrument .....	8
----------------------------------	---

## P

PC keyboard	
Connect .....	21
Pin assignment .....	45
Power connection .....	9
PREP .....	4
Printer .....	19

## Q

Quality Management .....	41
--------------------------	----

## R

Reagent replacement .....	38
Remote	
Interface .....	45
Pin assignment .....	45
Remote Box	
Connect .....	17

## S

Safety instructions .....	5
Sample	
Liquid .....	37
Solid .....	38
Sample size	
Size .....	36
Sensor	
Connect .....	28
Serial number .....	9
Service .....	5
SET .....	3
Stirrer	
Connect .....	16
Stirring direction .....	23
System test .....	11

## T

Temperature sensor	
Connect .....	28
Titrand system .....	1
Titration mode .....	3
KFT .....	3

## Index

SET .....	3
Titration stand	
Connect .....	16
Titration vessel	
Equipping .....	23
Touch Control	
Connect .....	11
<b>U</b>	
Update	
Device software .....	2
USB	
Connector .....	9

USB connector .....	2
USB hub	
Connect .....	19

## **V**

Validation .....	41
Volumetric KF titration	
Application .....	34
Endpoint determination, biamperometric (Upol) .....	33
Endpoint determination, bivol-tametric (Ipol) .....	33
One-component reagents ...	34

Principle .....	33
Sample size .....	36
Tips for daily practice .....	34
Two-component reagents . .	34
Water standard .....	34
Working conditions .....	38

## **W**

Warranty .....	54
Water standard	
Certified .....	34